

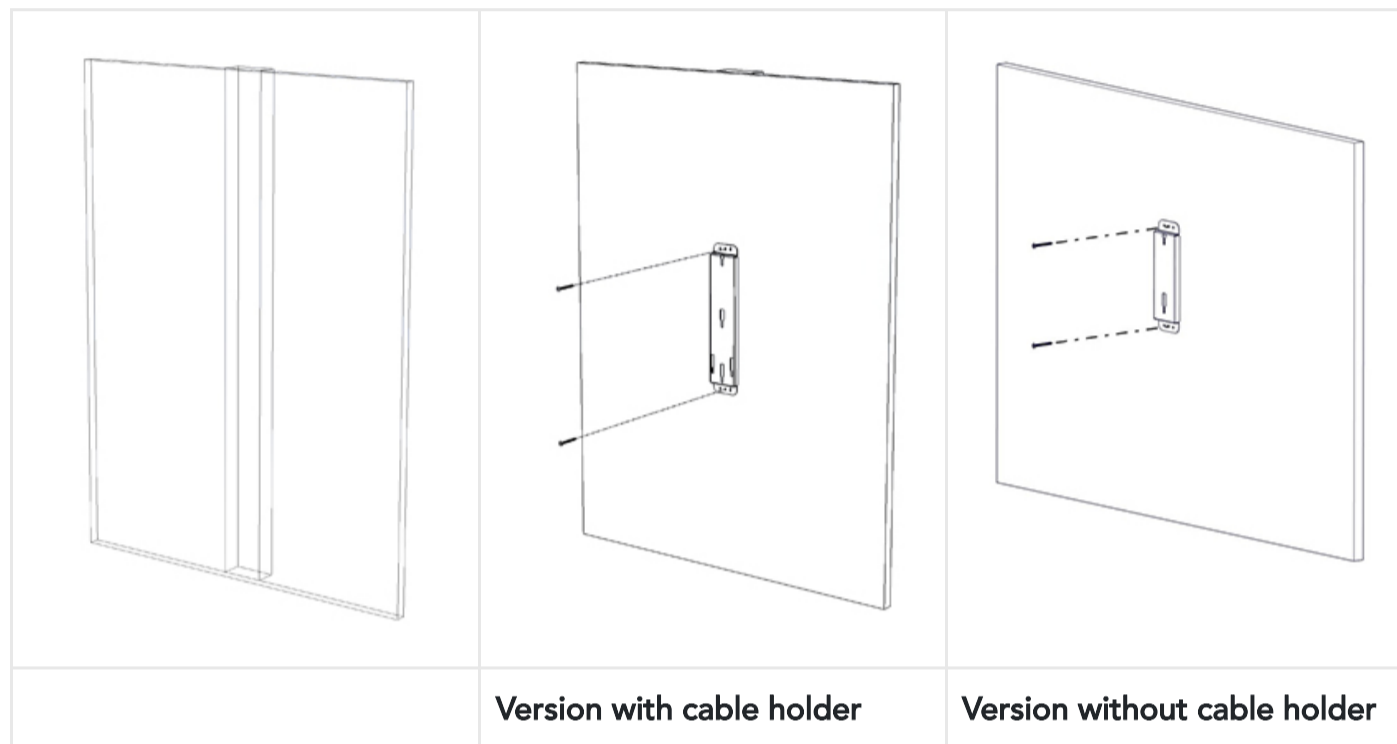
# Installation

Fully read and understand the directions before installation. Refer to additional safety information at the end of this document.

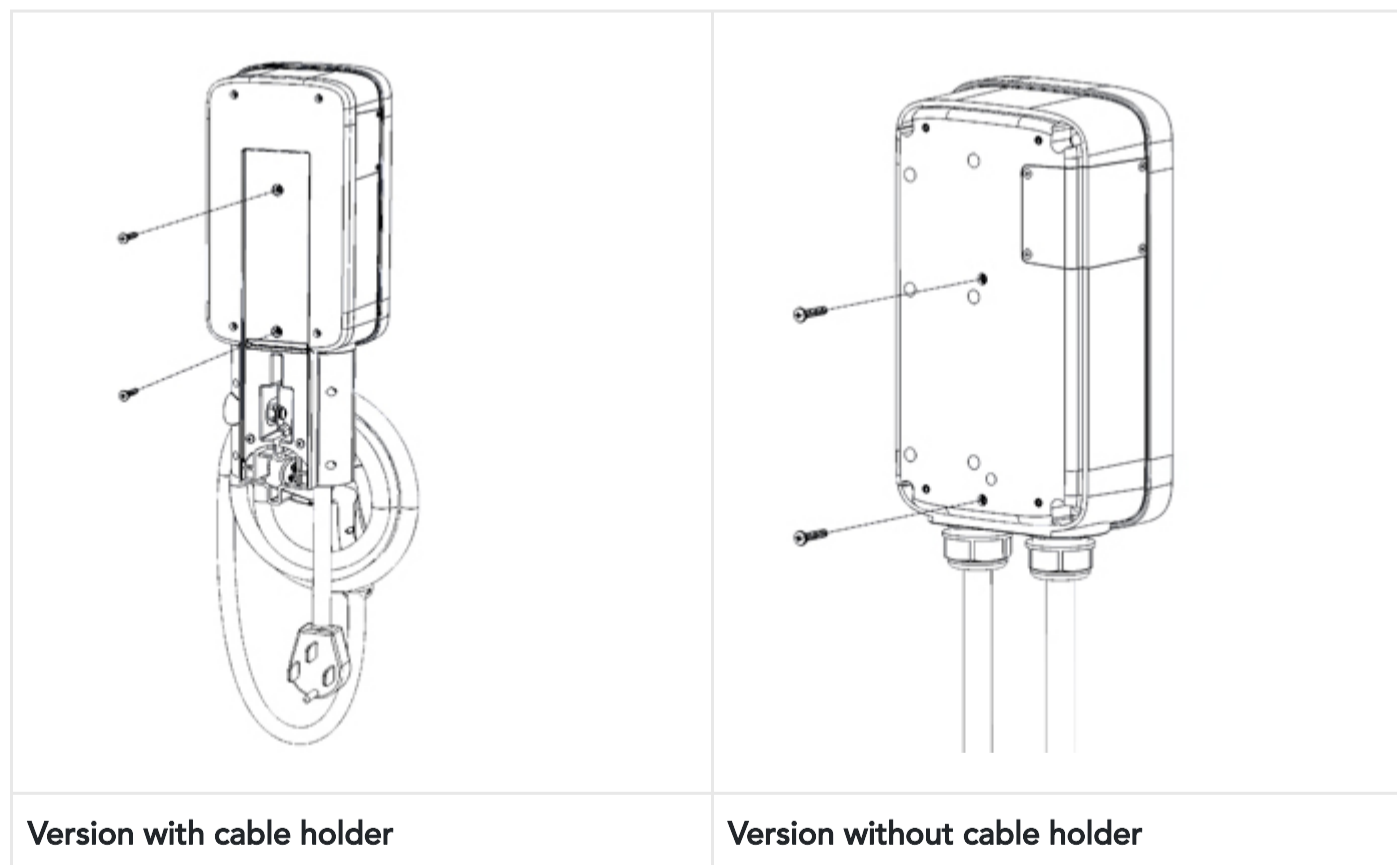
1. Turn off the circuit breaker to the NEMA 14-50 outlet, NEMA 6-50 outlet, or hardwired electrical connection.

**WARNING:** Do not continue this installation until the circuit breaker is turned off.

2. Use a stud sensor to determine an appropriate mounting location, then use the 2 screws to secure the wall bracket.

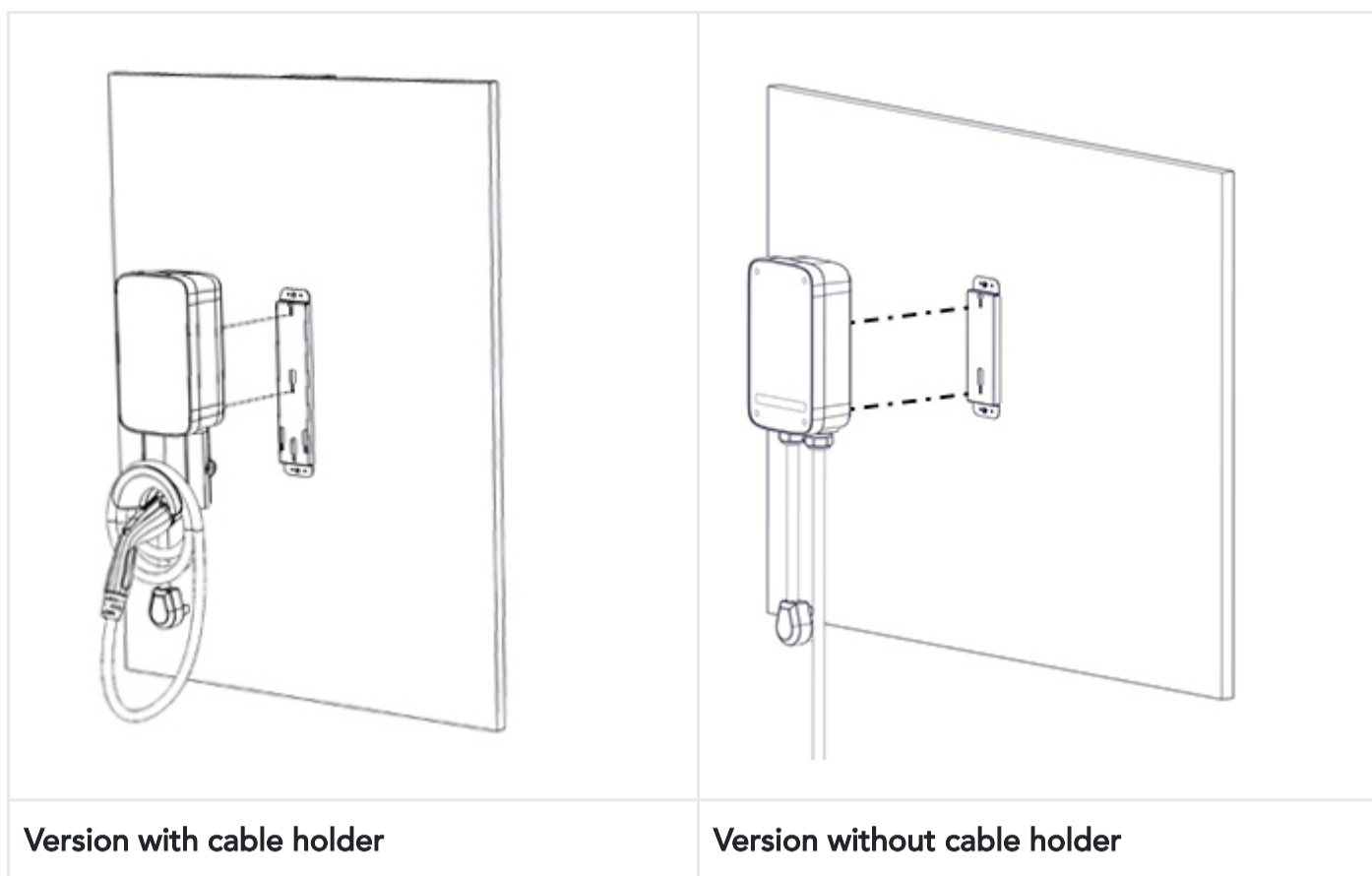


3. Insert the enclosure screws into the enclosure, as shown. Tighten the screws until approximately 2 mm of thread are visible.



4. Hang the JuiceBox onto the wall bracket.

**NOTE:** If the JuiceBox does not hang securely, adjust the screws that were installed in step 3. The 48 and 80 amp are hardwire only and do not have a plug as shown.



Version with cable holder

Version without cable holder

5. Connect the JuiceBox:

**Plug-In Version:** Plug the JuiceBox into the NEMA 14-50 outlet or NEMA 6-50 outlet.

**1-Phase Hardwired Version:** Connect the harness to the wiring terminal.

**WARNING:** It is the installers responsibility to ensure that the JuiceBox is wired in accordance with the local electrical code.

**NOTE:** The hardwire versions of the JuiceBox are shipped with appropriate wires that meet the National Electric Code (NEC) NFPA 70 and require a nearby junction box connection. Any alteration of the supplied wiring will invalidate the warranty and may not conform to NEC.

	32A/40A	48A	80A
L1 (Black)	8 AWG	6 AWG	3 AWG
L2 (Red)	8 AWG	6 AWG	3 AWG
Ground (Green)	8 AWG (THHN)	8 AWG (THHN)	6 AWG (THHN)

6. Turn on the circuit breaker that supplies power to the NEMA 14-50 outlet, NEMA 6-50 outlet, or hardwired electrical connection.