



TRI-MAX™ AERATOR

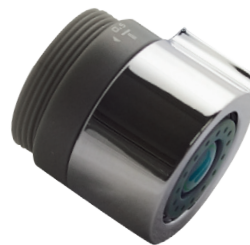
Our Niagara Conservation branded Tri-Max™ Aerator features three adjustable spray settings for optimal task performance and maximum water savings. The Tri-Max aerator produces a pressure-compensated stream that performs well at any water pressure. Simply twist the faucet aerator to match your desired task: 0.5 GPM flow rate for soaping, 1.0 GPM for washing, and 1.5 GPM for a powerful rinse mode.

THE FEATURES

- Dual threaded
- Fits most male and female threaded faucets, Male: 15/16-27, Female: 55/64-27
- Patented pressure compensating technology guarantees a consistent flow rate across wide range of pressure
- Turn-dial for selecting flow rate
- Non-stripping thread component (dual-thread connection) includes install key. Threaded inserts are removable to hide threads when installing with female connections (On N3610CH only)
- 10 year warranty***

CERTIFICATION & PERFORMANCE REQUIREMENTS

- ASME A112.18.1 / CSA B125.1; ANSI/NSF 61



N3610CH



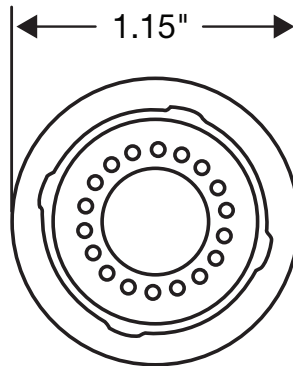
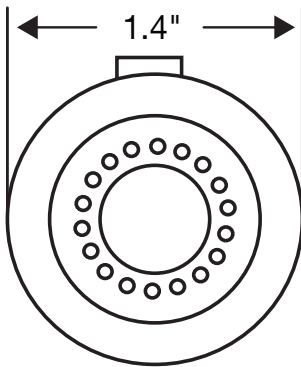
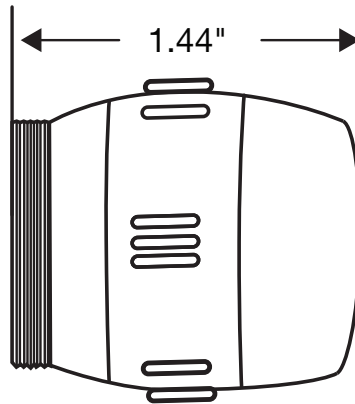
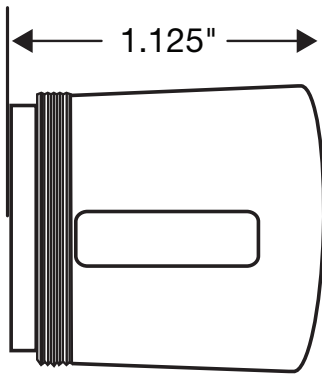
INSTALL KEY (N3610CH ONLY)

MODEL #	SPRAY	FINISH	FLOW RATE	WATERSENSE	CASE QTY.
N3610CH	Needle	Chrome	0.5 - 1.0 - 1.5 GPM	Yes	100
N3615CH	Needle	Black/Chrome	0.5 - 1.0 - 1.5 GPM	Yes	100

THE POTENTIAL ANNUAL SAVINGS*

	FLOW RATE	WATER	ELECTRIC HEATING	GAS HEATING
DOLLAR SAVINGS	1.5 GPM	\$51	\$39	\$21
UTILITY SAVINGS	1.5 GPM	6,132 gallons	347 kWh	19 therms

THE DIMENSIONS**



*Factors in calculating savings potential:

- 3-person households each person using a faucet 8 minutes per day, 365 days per year (AWWARF Residential Study)
- Comparing water use with these aerator vs. a standard 2.2 GPM unit
- US city average water and sewer cost of \$8.3 per 1,000 gallons (study done by NUS

Consulting Group 2011)

- Average cost of electricity 0.113¢ per kWh (Energy Star Nov. 2013 Lightbulb Calculator — http://www.energystar.gov/?c=cfls.pr_cfls_savings)
- Average cost of gas \$1.137 per therm (Bureau of Labor Statistics April 2014)
- Calculations done by <http://www.fishnick.com/savewater/tools/watercalculator>

**Dimensions are subject to change

***WARRANTY DETAILS

AM Conservation Group, Inc. guarantees to the original purchaser or recipient of an aerator that it is free from defects in material and workmanship for a period of 10 years. AM Conservation Group, Inc. will at our choice replace any part of the aerator which is in our opinion defective provided that the product has not been abused, misused, altered, or damaged after its purchase. This includes damage due to the use of tools or harsh chemicals. In the event a product has been discontinued, AM Conservation Group, Inc. will replace it with what we determine to be the closest product. AM Conservation Group, Inc. is not responsible for labor charges, installation, or other consequential cost. AM Conservation Group, Inc.'s responsibility shall not exceed the original cost of the product.